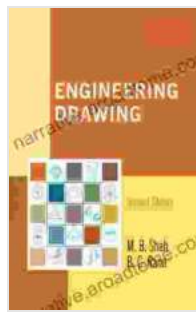


Engineering Drawing & Design by Shah: The Ultimate Guide to Mastering Technical Drawing

Unlock the World of Engineering Drawing

Embark on an extraordinary journey into the realm of engineering drawing and design with 'Engineering Drawing & Design' by Shah. This comprehensive textbook is an indispensable resource for students, engineers, and professionals alike, guiding you through the essential principles and techniques of technical drawing.



Engineering Drawing by M. B. Shah

★★★★☆ 4.4 out of 5

Language : English

File size : 42419 KB

Text-to-Speech : Enabled

Enhanced typesetting : Enabled

Screen Reader : Supported

Print length : 580 pages

FREE

DOWNLOAD E-BOOK



With its clear and concise explanations, accompanied by numerous illustrations and examples, Shah's masterpiece empowers you to develop a deep understanding of engineering concepts. Dive into the fundamentals of projection, orthographic views, sections, and dimensioning, gaining a solid foundation in the language of engineering drawing.

A Comprehensive Guide to Key Topics

Delve into the intricate chapters of 'Engineering Drawing & Design' and discover the wealth of knowledge it holds:

- **Chapter 1: to Engineering Drawing**

Explore the history, principles, and applications of engineering drawing, laying the groundwork for your understanding.

- **Chapter 2: Orthographic Projections**

Master the art of orthographic projections, learning to project objects onto different planes to create accurate representations.

- **Chapter 3: Sections of Solids**

Understand the techniques for creating sectional views, visualizing the internal structures of objects.

- **Chapter 4: Dimensioning**

Acquire the essential skills of dimensioning, ensuring precise communication of design intent.

- **Chapter 5: Isometric Projection**

Discover the principles of isometric projection, an invaluable technique for visualizing three-dimensional objects.

- **Chapter 6: Machine Drawing**

Delve into the specialized field of machine drawing, learning the conventions and techniques used in mechanical engineering.

- **Chapter 7: Sheet Metal Drawing**

Explore the unique challenges of sheet metal drawing, mastering the principles of pattern development.

- **Chapter 8: Piping and Layout Drawing**

Gain insights into piping and layout drawing, essential for

understanding and designing complex fluid systems.

- **Chapter 9: Computer-Aided Drafting**

Embrace the power of computer-aided drafting (CAD), revolutionizing your drawing process.

- **Chapter 10: Axonometric Projections**

Expand your visualization skills with axonometric projections, creating three-dimensional representations of objects.

- **Chapter 11: Perspective Drawing**

Master the art of perspective drawing, capturing the illusion of depth and space.

- **Chapter 12: Tolerancing**

Understand the principles of tolerancing, ensuring accurate manufacturing and assembly of components.

- **Chapter 13: Assembly Drawings**

Develop your ability to create assembly drawings, representing the relationships between individual parts.

Elevate Your Engineering Skills

With 'Engineering Drawing & Design' by Shah at your disposal, you can unlock a world of benefits:

- **Enhanced understanding of engineering concepts:** Shah's explanations demystify complex engineering principles, making them accessible and comprehensible.
- **Mastered technical drawing techniques:** Practice the essential techniques of engineering drawing, gaining confidence in expressing your designs accurately.

- **Improved design capabilities:** Enhance your design abilities by visualizing and communicating your ideas effectively through technical drawings.
- **Industry-ready skills:** Acquire the skills and knowledge demanded by employers in the engineering industry.
- **Excellent foundation for further studies:** Lay a solid foundation for pursuing higher education in engineering or related fields.

About the Author: P.S. Shah

P.S. Shah, the renowned author of 'Engineering Drawing & Design', is a distinguished professor with decades of experience in engineering education. His expertise in technical drawing and design has shaped countless engineers, making him a respected figure in the field.

Shah's passion for teaching shines through in this textbook, as he meticulously presents the subject matter with clarity and precision. His ability to translate complex concepts into accessible language makes this book an invaluable resource for students and professionals alike.

Empower Your Engineering Journey

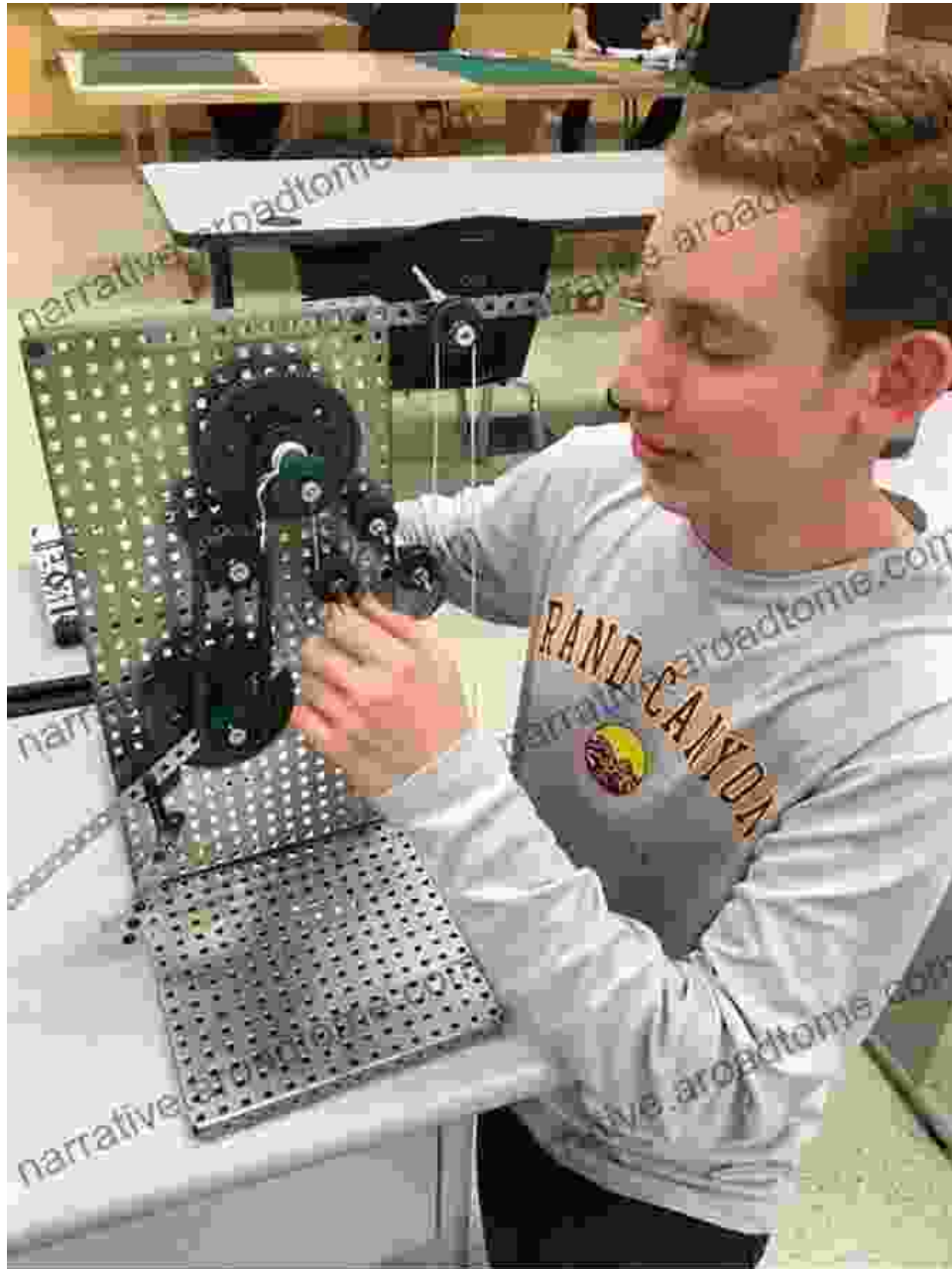
Elevate your engineering skills and knowledge with 'Engineering Drawing & Design' by P.S. Shah. Free Download your copy today and embark on a transformative learning experience that will empower you to excel in technical drawing and design.

[Free Download Now](#)

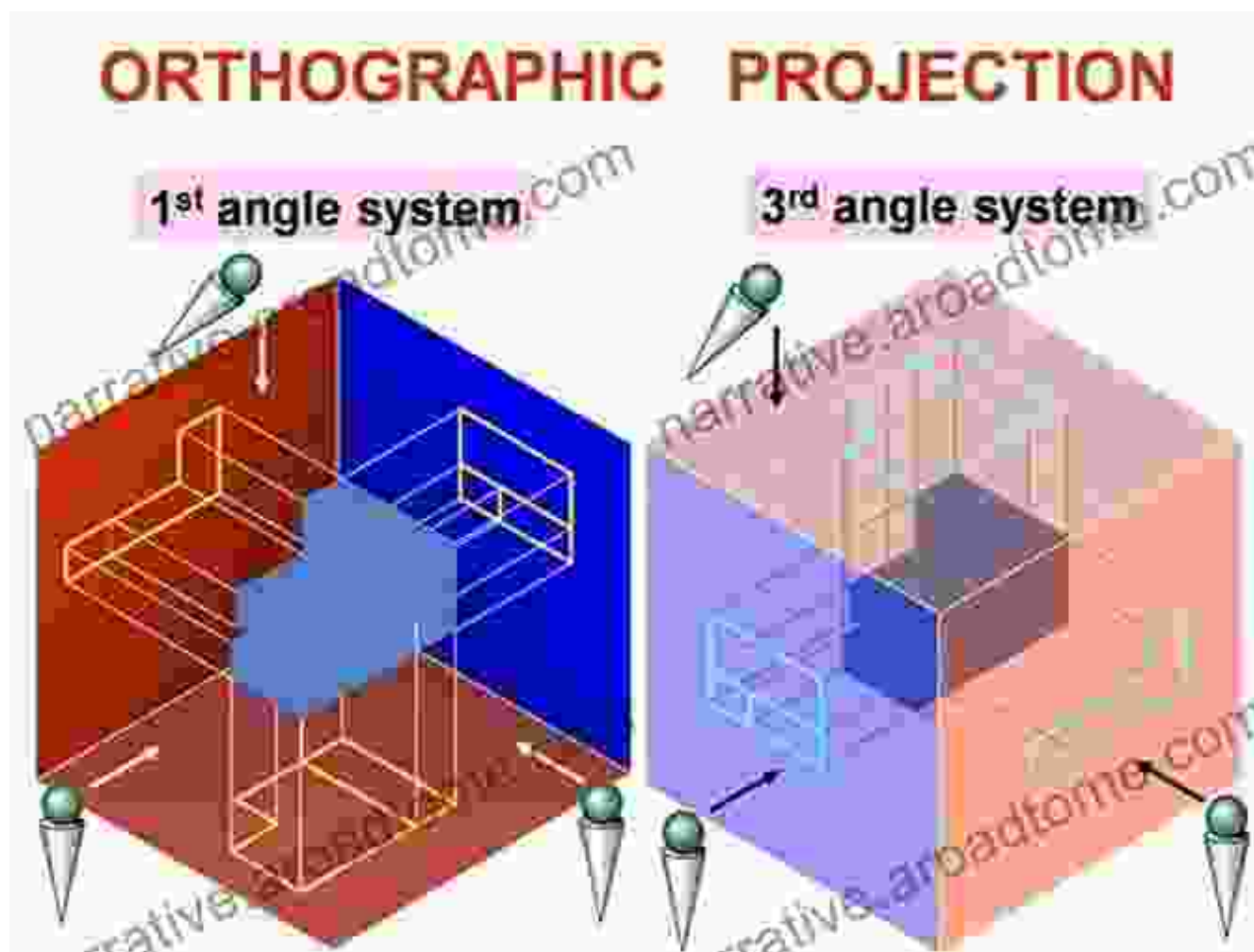
Copyright © 2023 Engineering Drawing & Design by P.S. Shah

Image Alt Attributes

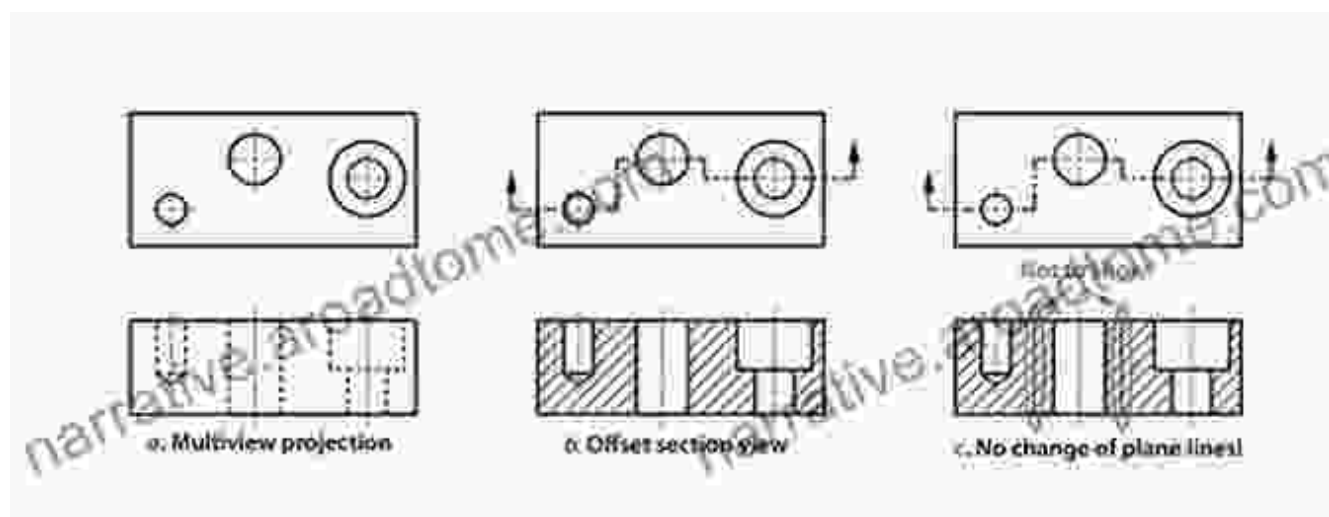
Chapter 1: to Engineering Drawing



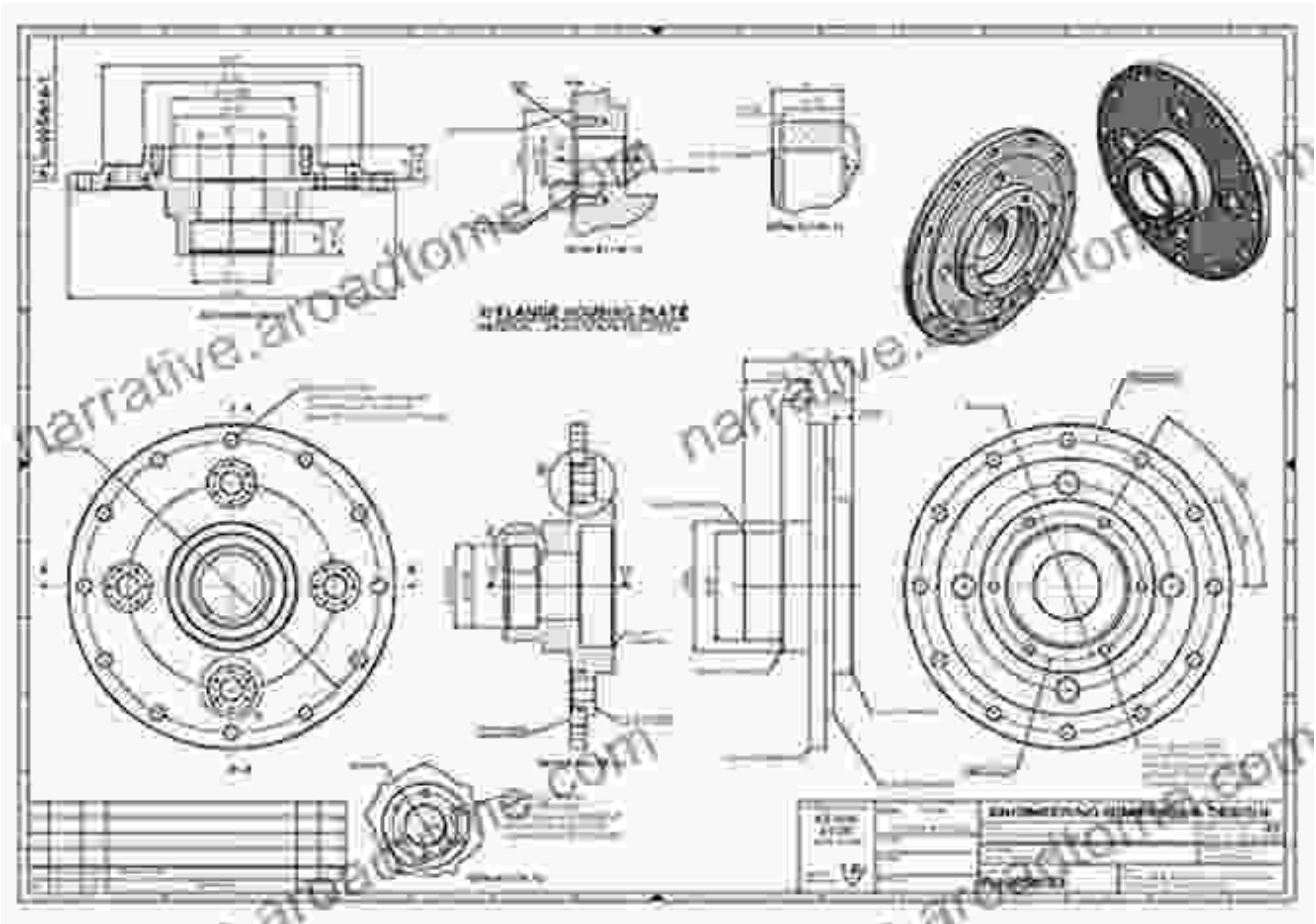
****Chapter 2: Orthographic Projections****



****Chapter 3: Sections of Solids****



****Chapter 4: Dimensioning****

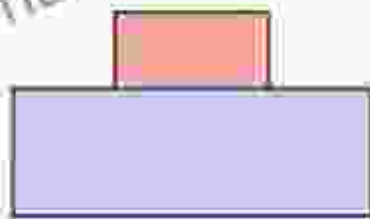


****Chapter 5: Isometric Projection****

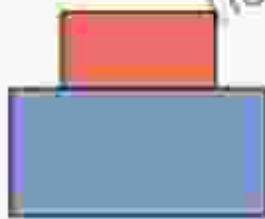
Orthographic and isometric projections of an object



top view

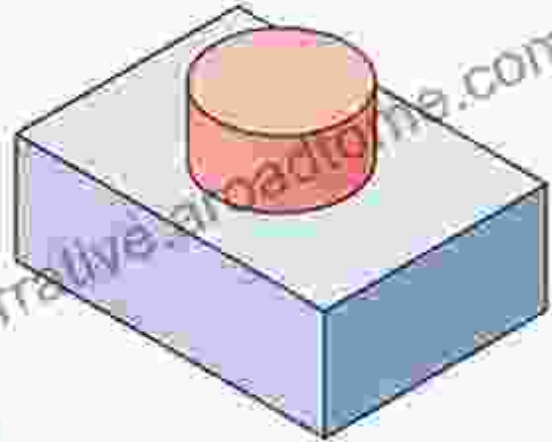


front view



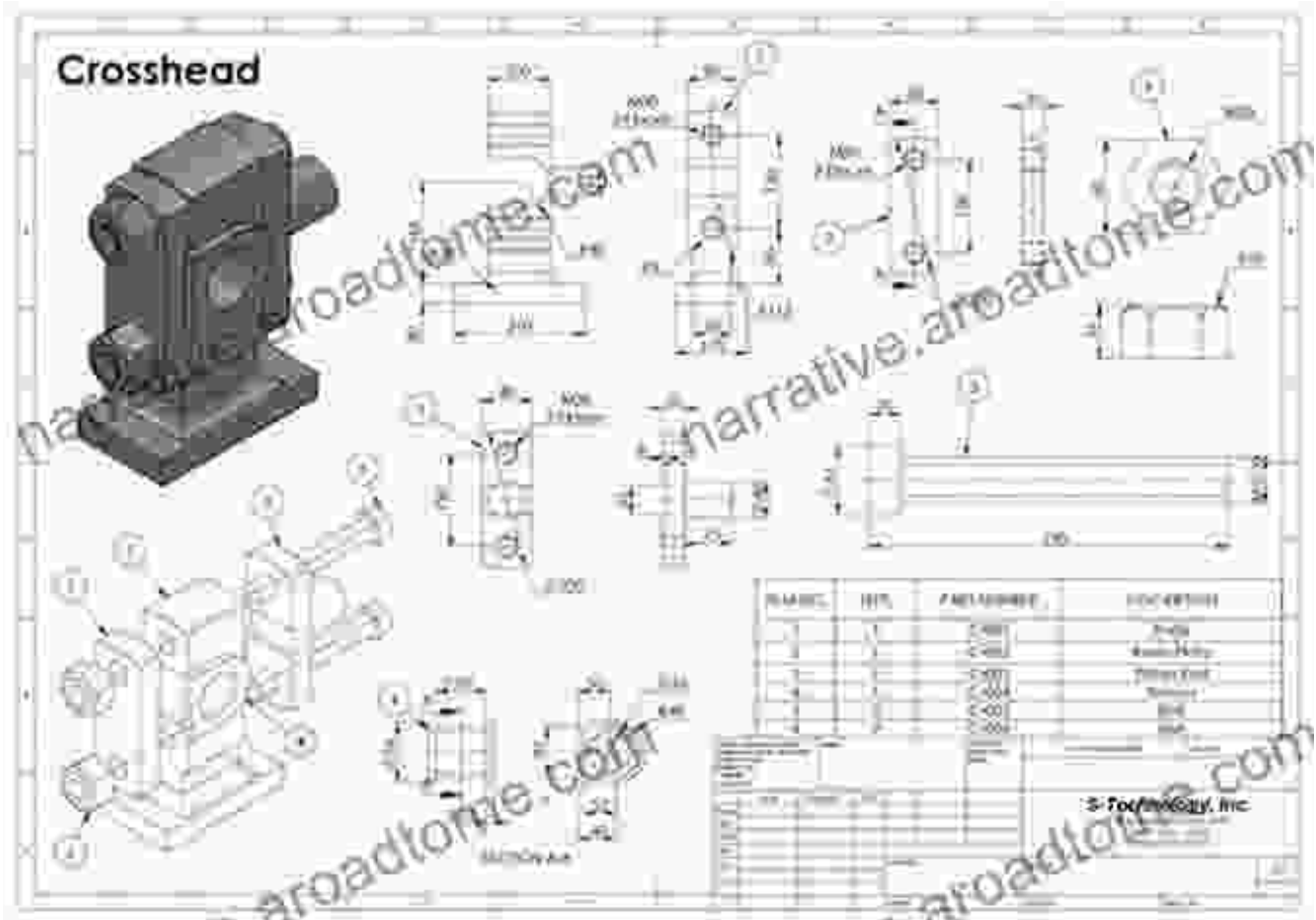
side view

2-dimensional orthographic projection



3-dimensional isometric projection

****Chapter 6: Machine Drawing****



Engineering Drawing by M. B. Shah

★★★★☆ 4.4 out of 5

Language : English

File size : 42419 KB

Text-to-Speech : Enabled

Enhanced typesetting : Enabled

Screen Reader : Supported

Print length : 580 pages

FREE

DOWNLOAD E-BOOK





Unlock Your Creativity with Adobe Photoshop Elements 2024: Your Guide to Classroom Mastery

Embark on a Visual Journey with Adobe Photoshop Elements 2024
Welcome to the realm of digital image editing, where creativity knows no bounds. Adobe Photoshop Elements...



Get Help To Cure Your Insomnia

Insomnia is a common sleep disorder that can make it difficult to fall asleep, stay asleep, or both. It can be caused by a variety of factors,...